

BF4 Blade Fuse



FEATURES:

- 32 VDC blade fuse
- Rated Current: 2-40 A
- Rated Voltage: 32 VDC
- Breaking Capacity: 1 kA@32 VDC
- Design standards: UL 275A
- UL File: E499007

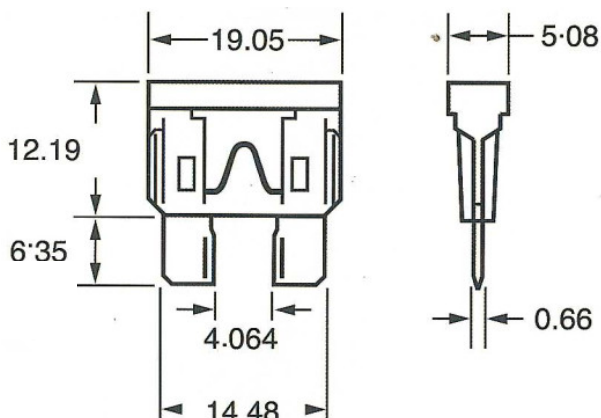
ELECTRICAL SPECIFICATIONS

| Part Number | Rated Current | Housing Color | Rated Voltage | Type Cold Resistance (mΩ) | I2t (A²S) | Certification |
|-------------|---------------|---------------|---------------|---------------------------|-----------|---------------|
| | | | | | | cURus |
| BF4120030N | 2A | Grey | 32 VDC | 52.43 | 1.6 | ● |
| BF41300300 | 3A | Violet | | 31.26 | 7.4 | ● |
| BF41400300 | 4A | Pink | | 23.21 | 14 | ● |
| BF41500300 | 5A | Tan | | 18.37 | 26 | ● |
| BF41750300 | 7.5A | Brown | | 11.31 | 61 | ● |
| BF42100300 | 10A | Red | | 7.83 | 115 | ● |
| BF42150300 | 15A | Blue | | 5.64 | 340 | ● |
| BF42200300 | 20A | Yellow | | 3.71 | 520 | ● |
| BF42250300 | 25A | Natural | | 2.80 | 1080 | ● |
| BF42300300 | 30A | Green | | 2.10 | 1508 | ● |
| BF42350300 | 35A | Blue green | | 1.68 | 2280 | ● |
| BF42400300 | 40A | Orange | | 1.50 | 3320 | ● |

TIME VS CURRENT CHARACTERISTIC

| Rated Current | 110% | 135% | 200% | 350% | 600% |
|---------------|--------|-------------|----------|-----------|-----------|
| 2-40 A | >100 h | 0.75-1800 s | 0.15-5 s | 40-500 ms | 20-100 ms |

DIMENSIONS (mm)



Tolerance: ref. to UL 275A, ISO 8820-3

TIME CURRENT CURVE

